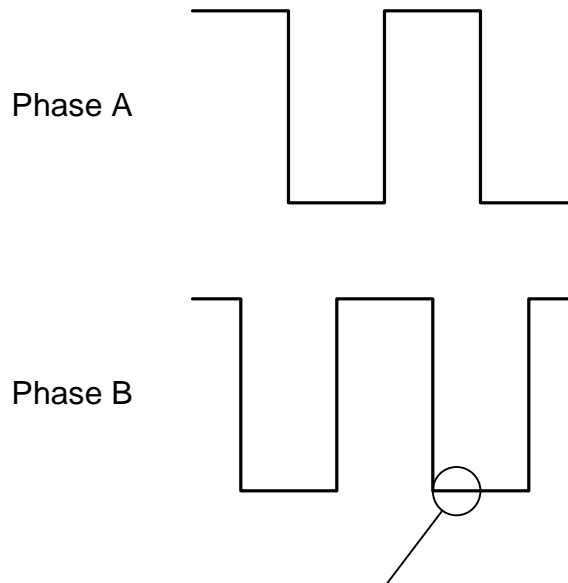


Under normal circumstances, the ISR will read the state of phase-b and correctly determine the direction the shaft is rotating



If you spin the encoder shaft too fast, the ISR will not read the state of phase-b in time and incorrectly determine the direction the shaft is rotating